

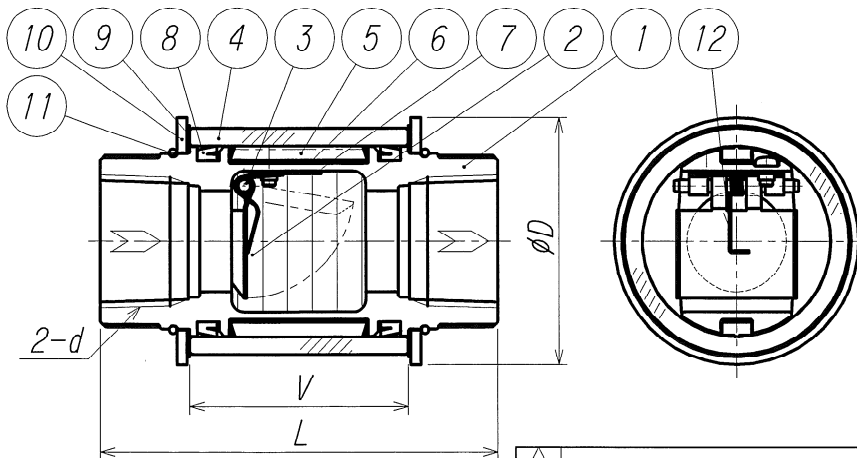
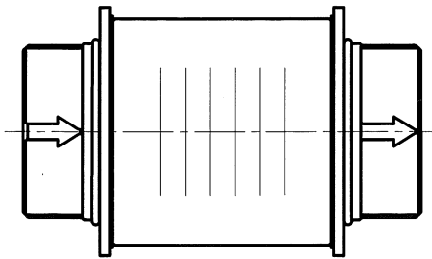
符号 MARKS	部 品 PARTICULARS	材 質 MATERIALS	数 QUAN.	備 考 REMARKS
1	BODY	SCS13	1	
2	FLAPPER	SUS304	1	
3	PIN	SUS304	1	
4	SIGHTGLASS	PYREX	1	
5	BRUSH	NBR	2	
6	PLATE	SUS631	2	
7	BRACKET	SUS304	1	
8	"U"PACKING	NBR	2	
9	CUSHION	VINYL	2	
10	RETAINER RING	SUS304	2	
11	SET SPRING	SUS304	2	
12	SPRING	SUS304	1	

*At the time of the piping work, hold the screw part on the work side.

*As glass is used, avoid freezing.

*In case of high-temperature liquids, take care to avoid burns at the time of wiper operation (sight glass turning).

DIMENSIONS		JIS B0203			
	SIZE	d	L	D	V
	10A	$\frac{3}{8}$ B Rc $\frac{3}{8}$	73	43	40
	15A	$\frac{1}{2}$ B Rc $\frac{1}{2}$	73	43	40
	20A	$\frac{3}{4}$ B Rc $\frac{3}{4}$	80	49	44
	25A	1 B Rc1	88	55	44
	32A	$1\frac{1}{4}$ B Rc $1\frac{1}{4}$	100	71	50
	40A	$1\frac{1}{2}$ B Rc $1\frac{1}{2}$	115	81	61



第3角法 3RD ANGLE PROJECTION		DIMENSION IN mm	
尺 度 SCALE	作成日 DATE	設計圧力 DESIGNED PRESS.	設計温度 DESIGNED TEMP.
NTS		0.5 MPa	50 °C
作 成 DRAWN	設 計 DESIGNED	確 認 CHECKED	承 認 APPROVED
<i>Amada</i>	<i>Amada</i>	<i>Kobayashi</i>	
⊙ TAIYO VALVE MFG. CO., LTD.			
SU4W-SBM 10~40A SIGHT FLOW			